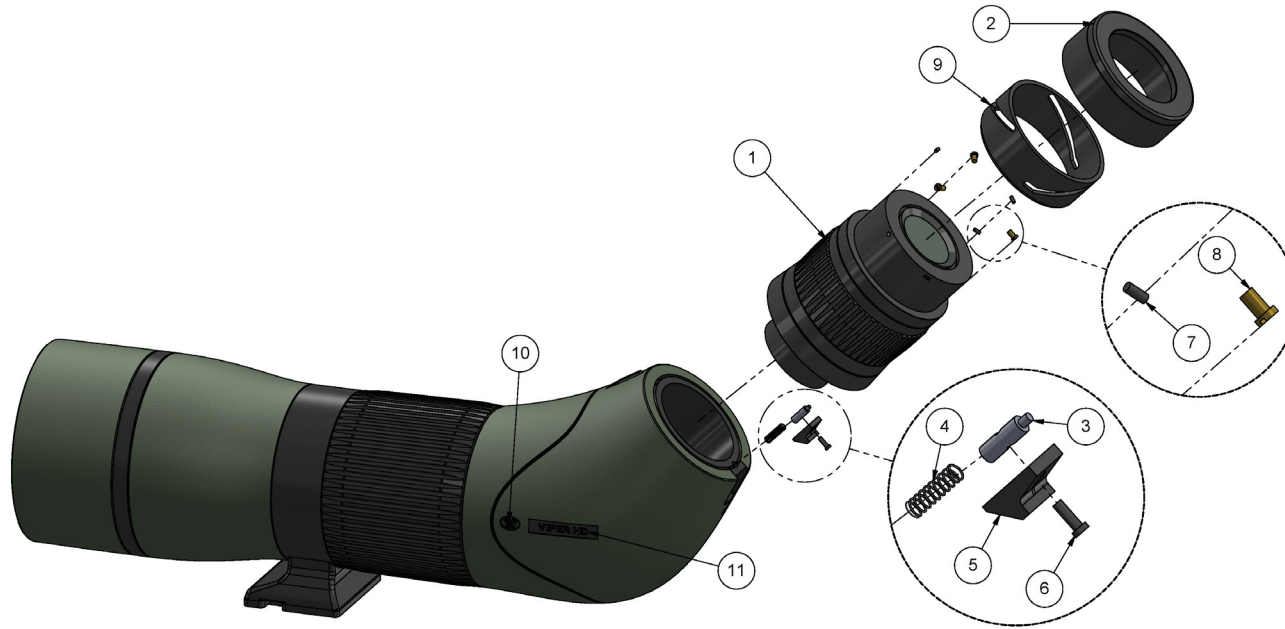




# VIPER<sup>®</sup> HD

15-45x65 ANGLED SPOTTING SCOPE



| Viper HD 65mm Angled Models |               |
|-----------------------------|---------------|
| Model                       | Magnification |
| V500                        | 15-45x        |

| Parts    |             |                                      |      |       |
|----------|-------------|--------------------------------------|------|-------|
| ITEM NO. | PART NUMBER | DESCRIPTION                          | QTY. | NOTES |
| 1        | A-00245-0   | Viper HD 65mm zoom eyepiece assembly | 1    |       |
| 2        | C-00660-0   | Eyecup Rubber                        | 1    |       |
| 3        | C-03398-0   | Eyepiece locking pin                 | 1    |       |
| 4        | C-03399-0   | Eyepiece locking pin spring          | 1    |       |
| 5        | C-03397-0   | Eyepiece locking button              | 1    |       |
| 6        | C-03396-0   | Eyepiece lock button set screw       | 1    |       |
| 7        | C-00064-0   | Eyecup tensioner                     | 3    |       |
| 8        | C-00658-0   | Eyecup assembly screw                | 3    |       |
| 9        | C-00659-0   | Eyecup assembly outer ring           | 1    |       |
| 10       | C-00624-0   | Oval badge                           | 2    |       |
| 11       | C-00625-0   | Rectangle badge                      | 2    |       |

| In-Box Accessories |             |  |      |       |
|--------------------|-------------|--|------|-------|
| ITEM NO.           | PART NUMBER | DESCRIPTION                            | QTY. | NOTES |
|                    | C-02434-0   | Viper HD 65mm angled neoprene case     | 1    |       |
|                    | C-00631-0   | Objective lens cover 65mm              | 1    |       |
|                    | C-02432-0   | Eyepiece lens cover                    | 1    |       |
|                    | C-02963-0   | Lens Cloth                             | 1    |       |
|                    | M-00127-1   | Viper HD spotting scope owner's manual | 1    |       |